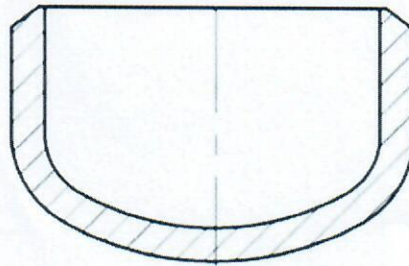


Tender No.
8/2022/s

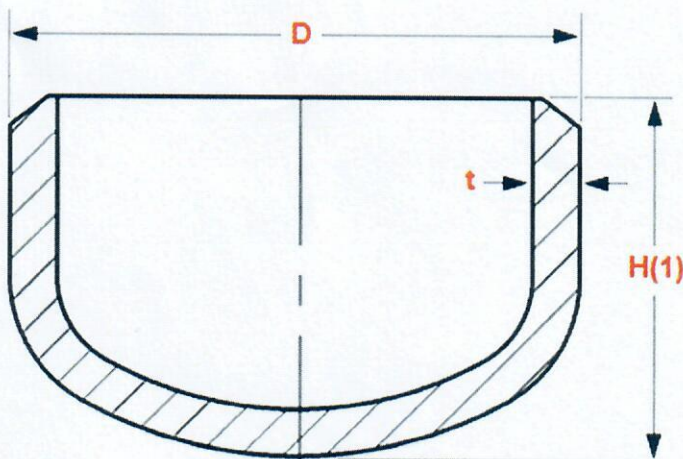
36" CARBON STEEL CAP SCH. 160

qty(4)

SPECIFICATION



- OUT SIDE DIAMETER 36 ENCHS = 914 MM
- WALL THICKNES 28-30 MM
- NOMINAL LENGTH 267 MM
- APPROX. WEIGHT 300 KG.



D=914 MM

H= 270- 300 MM

t= 30-28 MM

WEIGHT = MIN 250 -300 KG

