

NATIONAL PETROLEUM COMPANY- NPC						
AMMAN JORDAN TENDER NO. 8/2023/C Schedule of specifications and prices						
SUBJECT: ENGINE ASSEMBLY FOR FARNKS-600 MOBILE RIG						
Item No.	DESCRIPTIONS	PART NU.	UNIT	QTY	W/O CUSTOMS & TAXES	
					C & F : RISHA STORE	
					Unit price	Total Price
1	ENGINE ASSEMBLY AS PER ATTACHED 1:- THE ENGINE AND TRANSMISSION MUST BE NEW OR REFURBISHED BY THE AGENCY ,PROVIDING PROOF OF THAT 2:- THE ENGINE AND TRANSMISSION MUST BE GURANTEED BY THE LOCAL AGENT CATERPILLAR AND ALLISON FOR ONE YEAR START FROM DATE OF TEST LOAD ON RIG .	106-052-08	SET	1		
<p>في حال توريد الموديلات المطلوبة لكل من المحرك والجير كمجموعة واحدة كما هو مطلوب اعلاه فان السعر لايشمل التركيب على الحفارة.</p> <p>في حال تقديم موديل مكافئ لكل من المحرك والجير كمجموعة واحدة فانه يشترط تقديم الوثائق من الشركات الصانعة التي تثبت بانها مكافئة لما هو مطلوب اعلاه من حيث المواصفات الفنية والابعاد مع تقديم شهادات فحص (LOAD TEST) بالاضافة الى التركيب على الحفارة من ضمن عرض السعر المقدم.</p> <p>على الشركات المتقدمة لدعوة العطاء التوجه الى موقع الحفارة للإطلاع على المجموعة الحالية من المحرك والجير واخذ القياسات اللازمة لتحديد الابعاد لكل من المحرك والجير ومكان تركيبهم على الحفارة والتأكد من الاضافات على المحرك الحالي ومدى مطابقتها لما هو موجود على المحرك المكافئ له</p> <p>تقديم كافة الكاتلوجات والرسومات التي تخص المحرك والجير ونظام التحكم.</p> <p>ان يتضمن عرض السعر المقدم تفصيل بيبين اي تعديلات سوف يتم اجراؤها على الحفارة من اجل دراستها والموافقة عليها مسبقا</p> <p><b>.AMBIENT OPERATION TEMP (-15 C TO 50 C)</b> ان يتوافق الموديل المكافئ المقدم مع معايير حفارات النفط والغاز</p>						
						TOTAL
CURRENCY:		MODE OF PAYMENT :				
DELIVERY PERIOD :		PLACE OF DELIVERY:				
VALIDITY :		BANK GUARANTEE :				
MANUFACTURER:		DATE OF MANUFACTURING :			ORIGIN OF GOODS :	
SPECIAL CONDITIONS:						
NOTES:						
THE ACCEPT PRODUCTS MUST BE OEM						
ALL COLUMNS AND BLANK MUST BE FILLED IN AND IT'S THE NPC CHOICE TO CHOOSE THE PRICE WHICH SUITS IT'S REQUIREMENT						
ORIGINATOR: ENG. ALI ALNAIMI		SIGNATURE			DATE:-26/02/2023	
HEAD OF DIVISION: ENG. MAHMOUD ALROUSAN		SIGNATURE			DATE:-26/02/2024	
DEPARTMENT MANAGER: ENG. MUWAFIQ KHASAWN		SIGNATURE			DATE:-26/02/2025	



116

CATERPILLAR MODEL 3412 MOBILE EQUIPMENT ENGINE

Caterpillar Model 3412 direct injection, turbocharged, (twin turbo) diesel equipment engine. 4 cycle, 12 cylinder, 5.4" bore x 6.0" stroke, counterclockwise rotation (as viewed from flywheel end). For use with Allison CLT 6061 transmission, Rated @ 650 flywheel horsepower @ 2100 RPM, intermittent.

<u>GROUP NO.</u>	<u>DESCRIPTION</u>
PL1313	Basic Engine arrangement consists of the following basic equipment: Breather, Crankcase Cooler, Lubricating oil Filters, Fuel & Lube oil Flywheel & Flywheel Housing - SAE #0 Governor, Approx. Hydra-Mechanical Oil Filler in Valve Cover Lifting Eyes Manifold, Exhaust - Dry Paint, "Hi-Way" Yellow Pumps: Fuel Priming, Fuel Transfer, Jacket Water, Gear Driven SAE Standard Rotation Service Meter Thermostats & Housing Variable Timing, Automatic Vibration Damper

## OPTIONS

<u>GROUP NO.</u>	<u>DESCRIPTION</u>
7N9951	Radiator (17 Square Ft.) Ship Loose
4N3466	Fan Group (46" Suction) Ship Loose
7N897	Fan Drive (.571 Drive Ratio)
6N9929	Radiator Connections (Upper)
6N3651	Radiator Connections (Lower)
6N5303	Torque Converter Cooler (Ship Loose)
7N205	Allison Transmission Adaptation Parts
6N4559	Air Starting LH
PL1580	Instrument Panel LH
2N2489	Manual Shutoff Lever
6N6209	Fuel Ratio Control
6N8791	Tachometer Drive
3N7741	Multihole Gov. Lever
8N3920	Dipstick LH
4N2357	Oil Filters, LH
5N4827	Alternator 12V-55A
PL3003	Hyd. Pump Drive LH Rear
6N7786	Crank Pulley (6 Groove) Air Cleaners with Service Indicators (Single Stage - Dry) Front Trunnion Mounting
7N6804	Torque Converter Cooler Connections
PL2259	Coolant Conditioner
PL1697	Primary Fuel Filter

CATERPILLAR ENGINE

106-900-04



*[Handwritten signature]*  
2/6

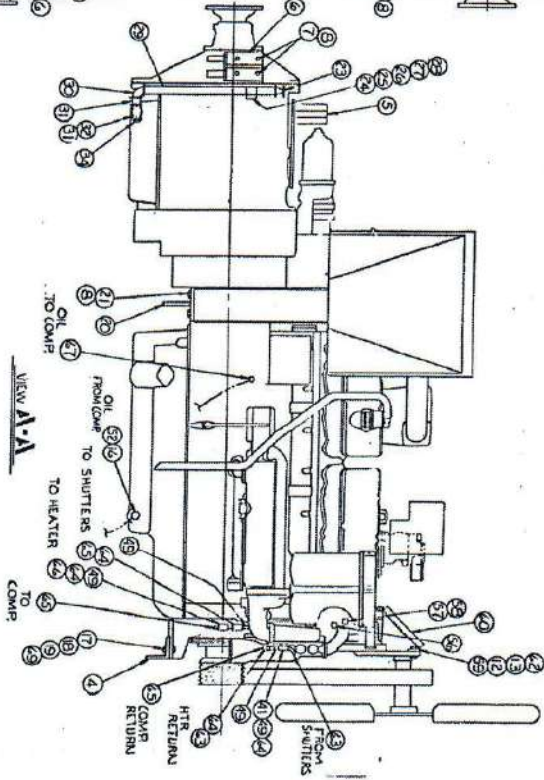
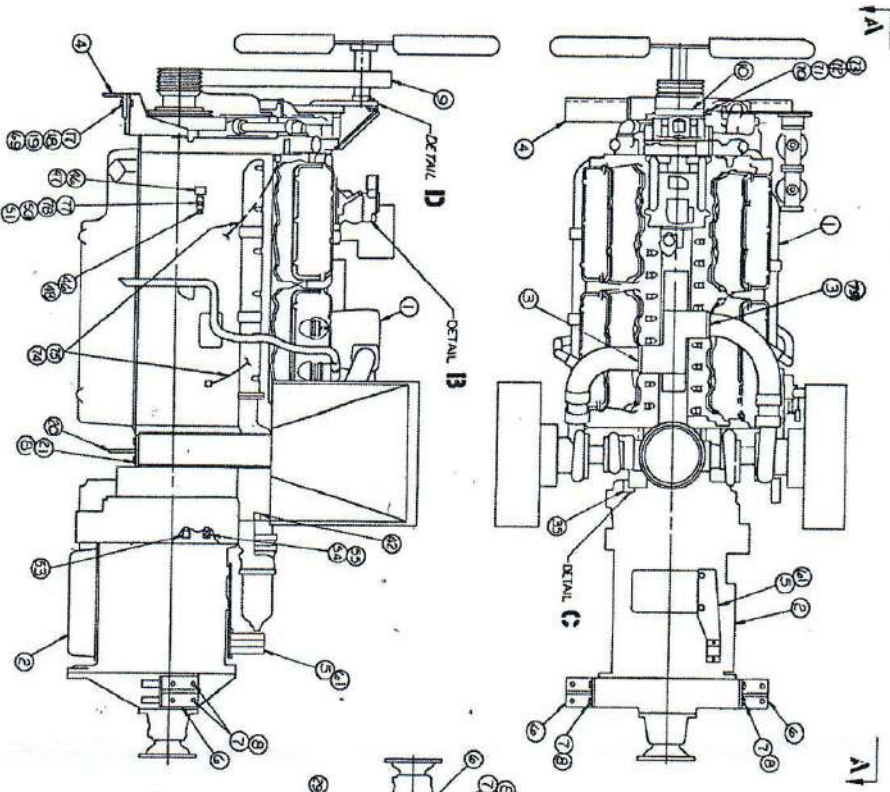
*[Handwritten signature]*  
C. C. / 1/27



1-23-81

Rev. 3-16-81  
6-25-81

081 39-A



ENGINE ASSEMBLY

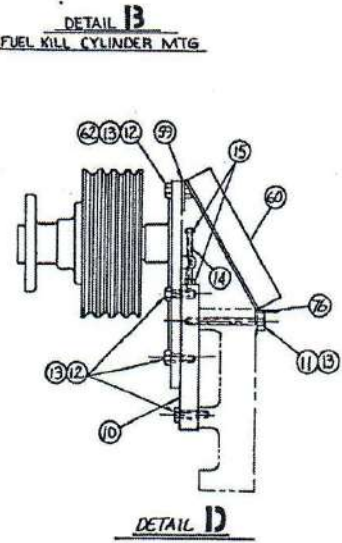
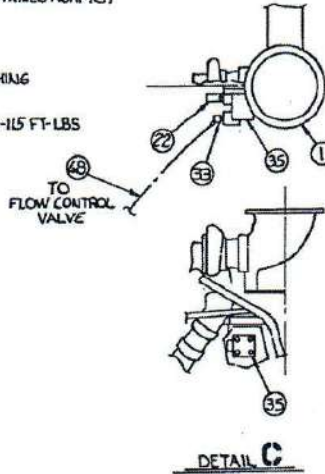
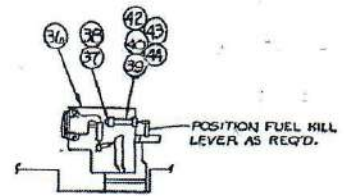
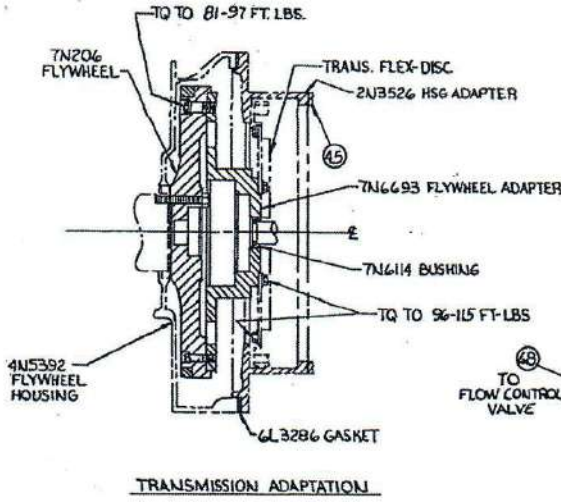
106-052-08

*[Handwritten signature]*  
*[Handwritten signature]*  
 e.c.r pe lca



3/6

08' 39-B



ENGINE ASSEMBLY

106-052-08

Rev. 3-16-8  
6-25-8

1-23-80

ITEM NO.	QUAN.	DESCRIPTION
1	1	106-900-04 Caterpillar Engine
2	1	123-915-10 Transmission (CLT 6061)
3	1	106-435-94 Rig Saver
4	1	106-304-39 Mounting Bracket
5	1	123-104-03 Transmission Control
6	2	130-539-06 Transmission Bracket
7	8	5/8-11NC-2 Capscrew x 1-1/4 Long (Grade 5)
8	16	5/8 Lock Washer
9	3	B-93 Hi-Power II V-Belt (Matched Set) (Gates)
10	1	106-423-10 Mounting Bracket
11	2	1/2-13NC-2 Capscrew x 5 Long
12	8	1/2-13NC-2 Capscrew x 2 Long
13	10	1/2 Lock Washer
14	1	3/8-16NC-2 Redi-Bolt x 5 Long
15	2	3/8-16NC-2 Jam Nut
16	1	1" x 1/2 Standard Pipe Bushing
17	2	3/4-10NC-2 Capscrew x 2 Long (Grade 5)
18	2	3/4 Lock Washer
19	2	3/4-10NC-2 Nut (Grade 5)
20	2	106-304-40 Mounting Bracket
21	8	5/8-11NC-2 Capscrew x 1-1/2 Long (Grade 5)
22	1	1" King Combination Nipple
23	1	123-353-90 Dipstick
24	1	128-315-10 Lug
25	1	5/16-18NC-2 Capscrew x 1-1/2
26	1	5/16 Lock Washer
27	1	5/16-18NC-2 Nut
28	1	1" Pipe Clamp
29	1	123-353-02 Fill Pipe
30	1	3/4 Standard Pipe Elbow (90°)
31	2	3/4 Standard Short Pipe Nipple
32	1	3/4 Standard Pipe Tee
33	1	2023-B-8 Adapter (Aero)
34	1	3/4 Standard Pipe Plug
35	1	109-900-06 Vane Pump
36	1	106-044-06 Throttle Linkage
37	1	5/16-24NF-2 Jam Nut
38	1	5/16-24NF-2 Capscrew x 1-3/4 Long
39	1	SP1003-5/16 Ball Joint (Superior)
40	1	108-752-91 Cylinder

ITEM NO.	QUAN.	DESCRIPTION
41	1	3/4 x 3/8 Standard Pipe Bushing
42	2	2024-2-4 Adapter (Aero)
43	1	109-126-KX Hose Assembly
44	1	1/4-28NF-2 Nut
45	1	5181902 Gasket (Allison)
46	2	3/8 x 1/8 Steel Pipe Bushing
47	1	108-737-04 Pressure Sender
48	1	108-737-09 Pressure Switch
49	4	3/8 Standard Short Pipe Nipple
50	1	3/8 Standard Pipe Cross
51	1	2021-6-4 Adapter (Aero)
52	1	2024-8-8 Adapter (Aero)
53	1	2024-20-20 Adapter (Aero)
54	1	109-792-01 Adapter
55	1	108-737-11 Temperature Switch
56	1	108-737-01 Temperature Sender
57	1	1/2 x 1/4 Standard Pipe Bushing
58	1	108-737-10 Temperature Switch
59	1	128-702-35 Lug
60	1	15030094 1 1/2 x 1 x 3/16 2A-14(MQ) x 9-1/2 Long
61	1	777D4313 Adapter (S.W.)
62	2	1/2-13NC-2 Nut
63	2	106-910-05 Heater Fitting
64	4	3/8 Standard Pipe Tee
65	3	1060910-04 Heater Fitting
66	1	106-910-06 Valve
67	1	2024-4-4 Adapter (Aero)
68	1	109-027-XX Hose Assembly
69	2	3/4 Flat Washer
70	1	128-701-21 Clip
71	1	3/8-16NC-2 Capscrew x 1" Long
72	1	3/8 Lock Washer
73	1	3/8-16NC-2 Nut
74	2	2556-6 Hose x 60 Long (Aero)
75	4	4741-6 Fittings (Aero)
76	1	128-721-52 Clip
77	1	3/4 x 3/8 Steel Pipe Bushing
78	1	3/8 X-Heavy Short Pipe Nipple
79	4	4N1320 Gasket (Caterpillar)



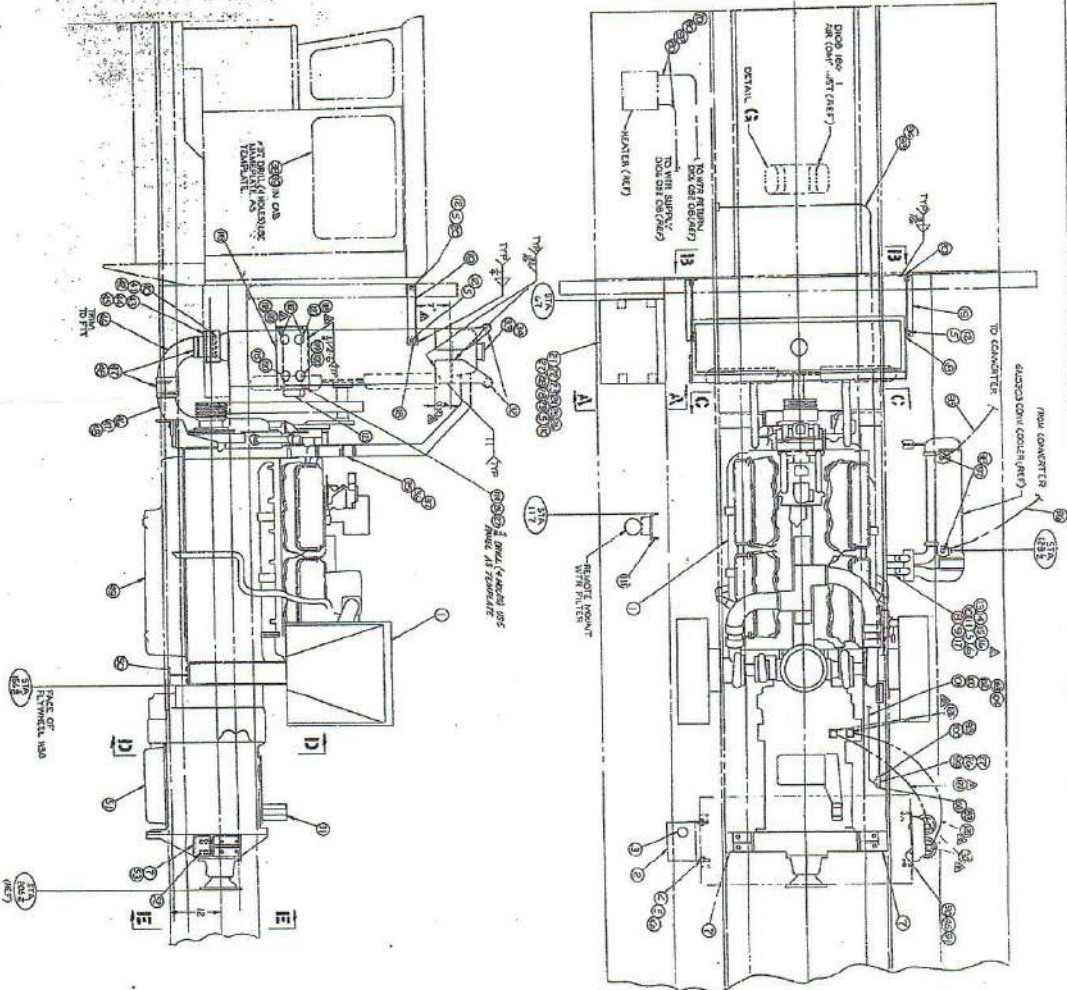
4/6

*[Handwritten signature]*

*[Handwritten signature]*  
C.C.V./C.M.  
C.M./C.V.



*Handwritten signature and initials:*  
C. J. ...  
C. J. ...



2

SUPPLEMENT AND AMENDMENTS  
BY EDC 053 16 50 3213  
9-6-89 ALC

EST. WT. 16.5 LB.

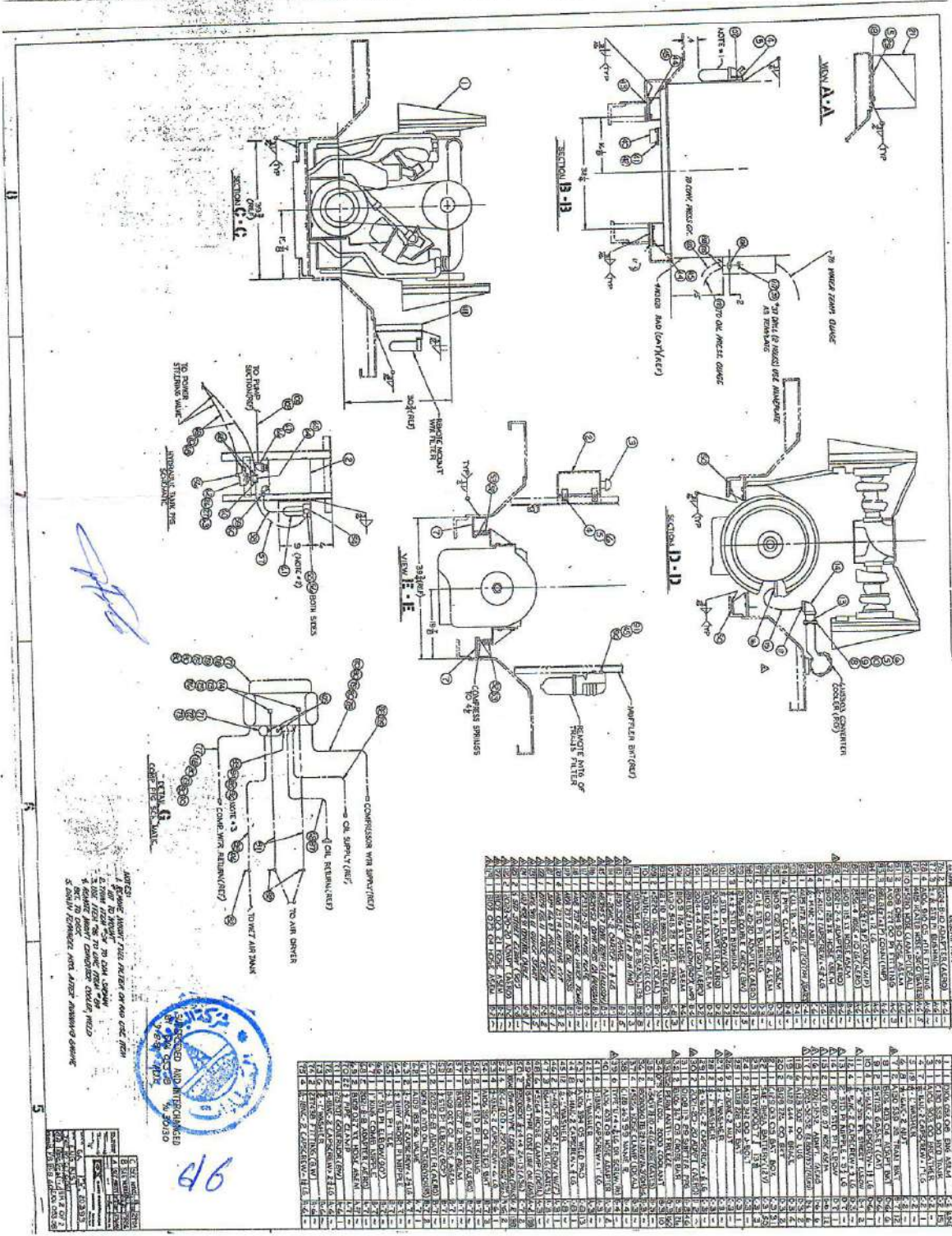
REV	DESCRIPTION	DATE
1	ISSUED FOR CONSTRUCTION	10/1/81
2	REVISED TO REFLECT CHANGES TO THE DESIGN	10/1/81
3	REVISED TO REFLECT CHANGES TO THE DESIGN	10/1/81
4	REVISED TO REFLECT CHANGES TO THE DESIGN	10/1/81
5	REVISED TO REFLECT CHANGES TO THE DESIGN	10/1/81
6	REVISED TO REFLECT CHANGES TO THE DESIGN	10/1/81
7	REVISED TO REFLECT CHANGES TO THE DESIGN	10/1/81
8	REVISED TO REFLECT CHANGES TO THE DESIGN	10/1/81
9	REVISED TO REFLECT CHANGES TO THE DESIGN	10/1/81
10	REVISED TO REFLECT CHANGES TO THE DESIGN	10/1/81



5/6

*Handwritten signature*

*Handwritten signature and notes in the top right corner.*



- 1. ENGINE AIRBOX FILTER ON TWO COIL FIRES
- 2. FUEL INJECTOR TO CARBURETOR
- 3. AIR FILTER ON TO CARBURETOR
- 4. AIR FILTER ON TO CARBURETOR
- 5. CARBURETOR WITH AIRBOX ASSEMBLY DRAWING



918

NO.	DESCRIPTION	QTY.	UNIT
1	...	...	...
2	...	...	...
3	...	...	...
4	...	...	...
5	...	...	...
6	...	...	...
7	...	...	...
8	...	...	...
9	...	...	...
10	...	...	...
11	...	...	...
12	...	...	...
13	...	...	...
14	...	...	...
15	...	...	...
16	...	...	...
17	...	...	...
18	...	...	...
19	...	...	...
20	...	...	...
21	...	...	...
22	...	...	...
23	...	...	...
24	...	...	...
25	...	...	...
26	...	...	...
27	...	...	...
28	...	...	...
29	...	...	...
30	...	...	...
31	...	...	...
32	...	...	...
33	...	...	...
34	...	...	...
35	...	...	...
36	...	...	...
37	...	...	...
38	...	...	...
39	...	...	...
40	...	...	...
41	...	...	...
42	...	...	...
43	...	...	...
44	...	...	...
45	...	...	...
46	...	...	...
47	...	...	...
48	...	...	...
49	...	...	...
50	...	...	...
51	...	...	...
52	...	...	...
53	...	...	...
54	...	...	...
55	...	...	...
56	...	...	...
57	...	...	...
58	...	...	...
59	...	...	...
60	...	...	...
61	...	...	...
62	...	...	...
63	...	...	...
64	...	...	...
65	...	...	...
66	...	...	...
67	...	...	...
68	...	...	...
69	...	...	...
70	...	...	...
71	...	...	...
72	...	...	...
73	...	...	...
74	...	...	...
75	...	...	...
76	...	...	...
77	...	...	...
78	...	...	...
79	...	...	...
80	...	...	...
81	...	...	...
82	...	...	...
83	...	...	...
84	...	...	...
85	...	...	...
86	...	...	...
87	...	...	...
88	...	...	...
89	...	...	...
90	...	...	...
91	...	...	...
92	...	...	...
93	...	...	...
94	...	...	...
95	...	...	...
96	...	...	...
97	...	...	...
98	...	...	...
99	...	...	...
100	...	...	...

NO.	DESCRIPTION	QTY.	UNIT
1	...	...	...
2	...	...	...
3	...	...	...
4	...	...	...
5	...	...	...
6	...	...	...
7	...	...	...
8	...	...	...
9	...	...	...
10	...	...	...
11	...	...	...
12	...	...	...
13	...	...	...
14	...	...	...
15	...	...	...
16	...	...	...
17	...	...	...
18	...	...	...
19	...	...	...
20	...	...	...
21	...	...	...
22	...	...	...
23	...	...	...
24	...	...	...
25	...	...	...
26	...	...	...
27	...	...	...
28	...	...	...
29	...	...	...
30	...	...	...
31	...	...	...
32	...	...	...
33	...	...	...
34	...	...	...
35	...	...	...
36	...	...	...
37	...	...	...
38	...	...	...
39	...	...	...
40	...	...	...
41	...	...	...
42	...	...	...
43	...	...	...
44	...	...	...
45	...	...	...
46	...	...	...
47	...	...	...
48	...	...	...
49	...	...	...
50	...	...	...
51	...	...	...
52	...	...	...
53	...	...	...
54	...	...	...
55	...	...	...
56	...	...	...
57	...	...	...
58	...	...	...
59	...	...	...
60	...	...	...
61	...	...	...
62	...	...	...
63	...	...	...
64	...	...	...
65	...	...	...
66	...	...	...
67	...	...	...
68	...	...	...
69	...	...	...
70	...	...	...
71	...	...	...
72	...	...	...
73	...	...	...
74	...	...	...
75	...	...	...
76	...	...	...
77	...	...	...
78	...	...	...
79	...	...	...
80	...	...	...
81	...	...	...
82	...	...	...
83	...	...	...
84	...	...	...
85	...	...	...
86	...	...	...
87	...	...	...
88	...	...	...
89	...	...	...
90	...	...	...
91	...	...	...
92	...	...	...
93	...	...	...
94	...	...	...
95	...	...	...
96	...	...	...
97	...	...	...
98	...	...	...
99	...	...	...
100	...	...	...